

# **Spectra Watermakers**

## **COMPLETE WIRING SCHEMATICS**

### TABLE OF CONTENTS

VENTURA MPC 3000.....	3
VENTURA MPC 5000.....	4
CATALINA DELUXE.....	5
CATALINA MPC 3000.....	6
CATALINA MPC 5000.....	7
CATALINA MK II.....	8
NEWPORT 400 MPC 3000.....	9
NEWPORT 400 MPC 5000.....	10
NEWPORT 400 MK II.....	11
NEWPORT 700/1000 MPC 3000 AC.....	12
NEWPORT 700/1000 MPC 3000 DC.....	13
NEWPORT 700/1000 MPC 5000 AC.....	14
NEWPORT 700/1000 MPC 5000 DC.....	15
NEWPORT 700/1000 MK II DC.....	16
NEWPORT 700/1000 MK II AC.....	17
FARALLON AC.....	18-19

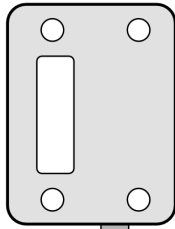
## **Spectra Watermakers**

20 Mariposa Road  
San Rafael, CA 94901  
Updated November 2013

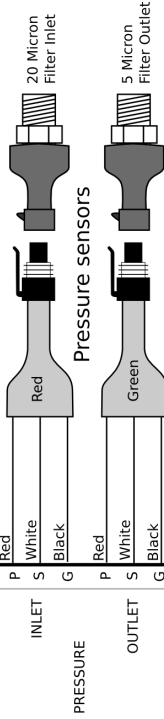
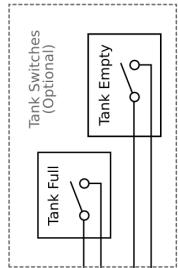
F:\Masterdocs\Technical bulletins\wiring diagrams 11.2013.pub

This page left intentionally blank

MPC remote display panel



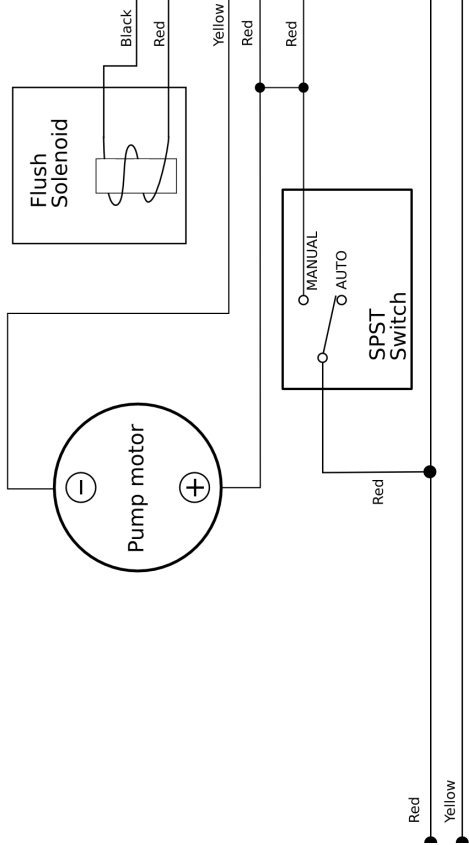
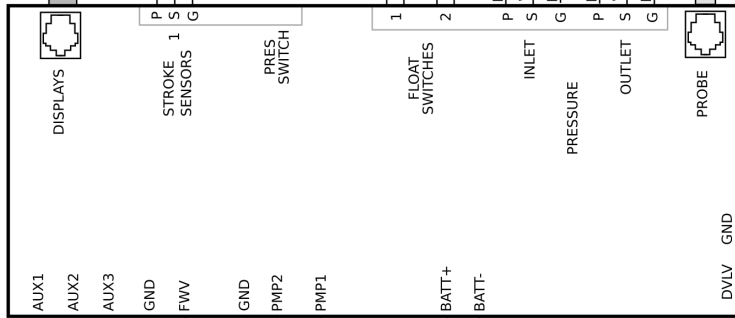
Rotoflow meter



Salinity probe



### MPC 3000



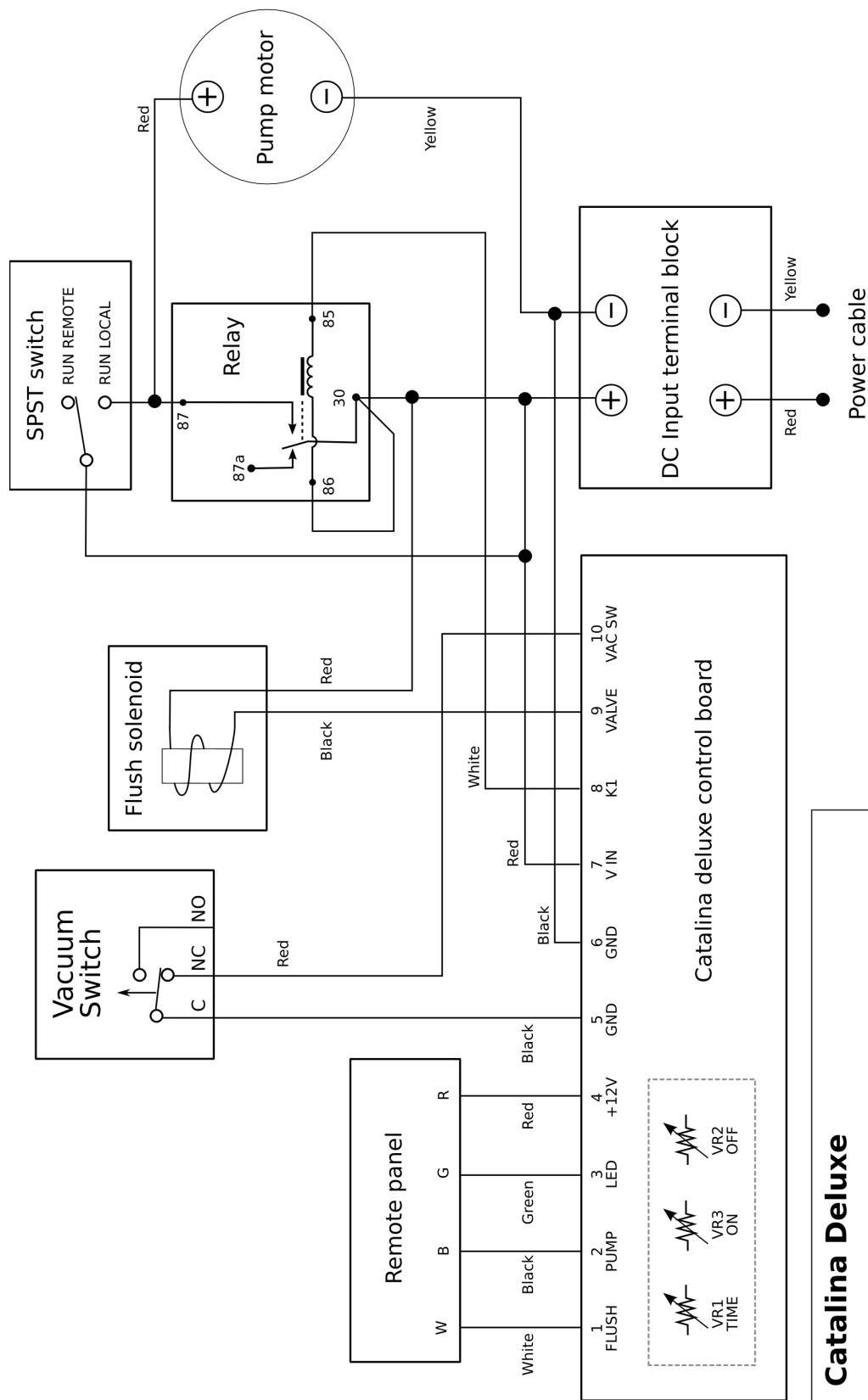
### Ventura MPC

Revision: 2005-07-13

#### Date Description

- 30 June 2005 Update MPC board layout: add tank switches, pressure sensor symbols, etc. Remove and correct stray "red/white" & "black" wire labels
  - 13 July 2005 Redo switch & pump, remove vacuum switch
- Spectra Watermakers





## Catalina Deluxe

**Revision:** 2005-07-19

**Date**      **Description**

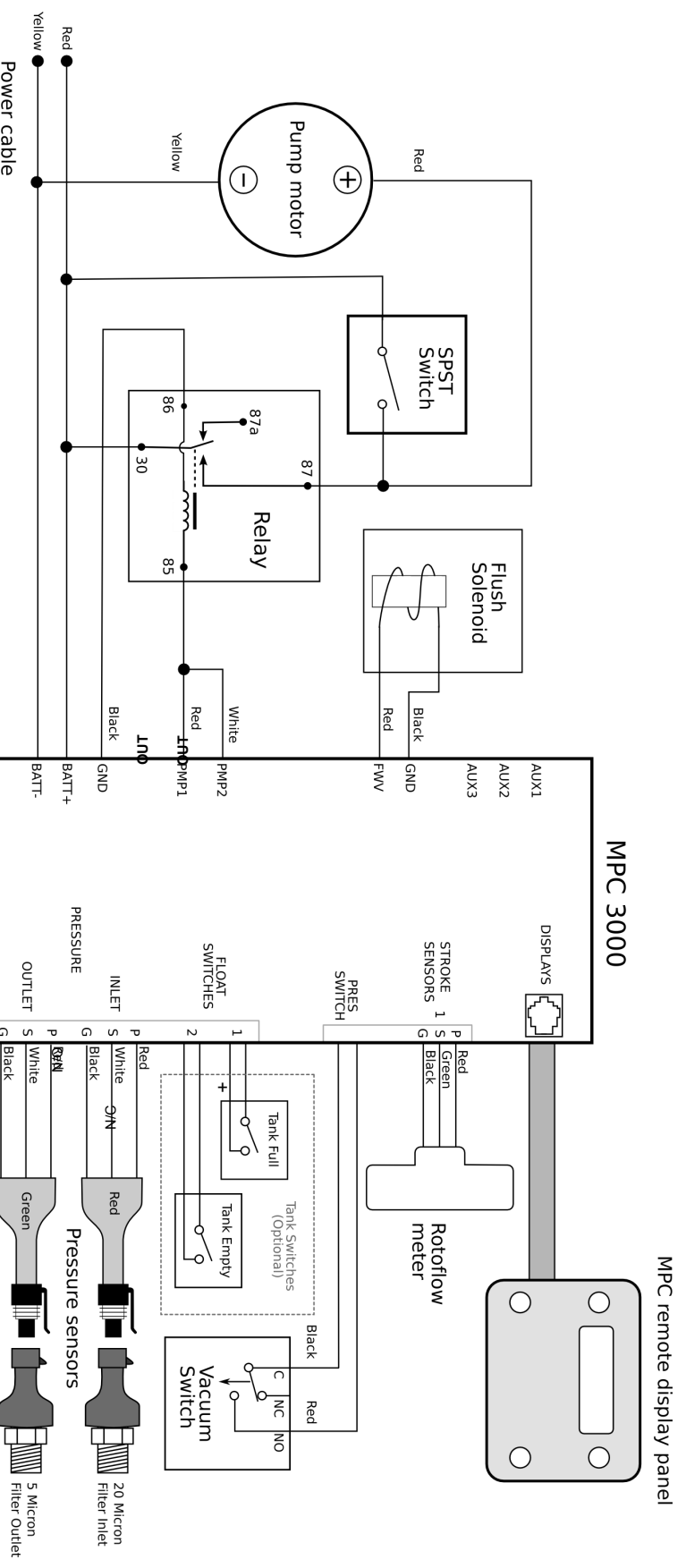
9 June 2005      Added connection dot to red flush wire

13 July 2005      Changed vacuum switch symbol. Added control board pots.

19 July 2005      Changed switch symbol, cleaned up wiring

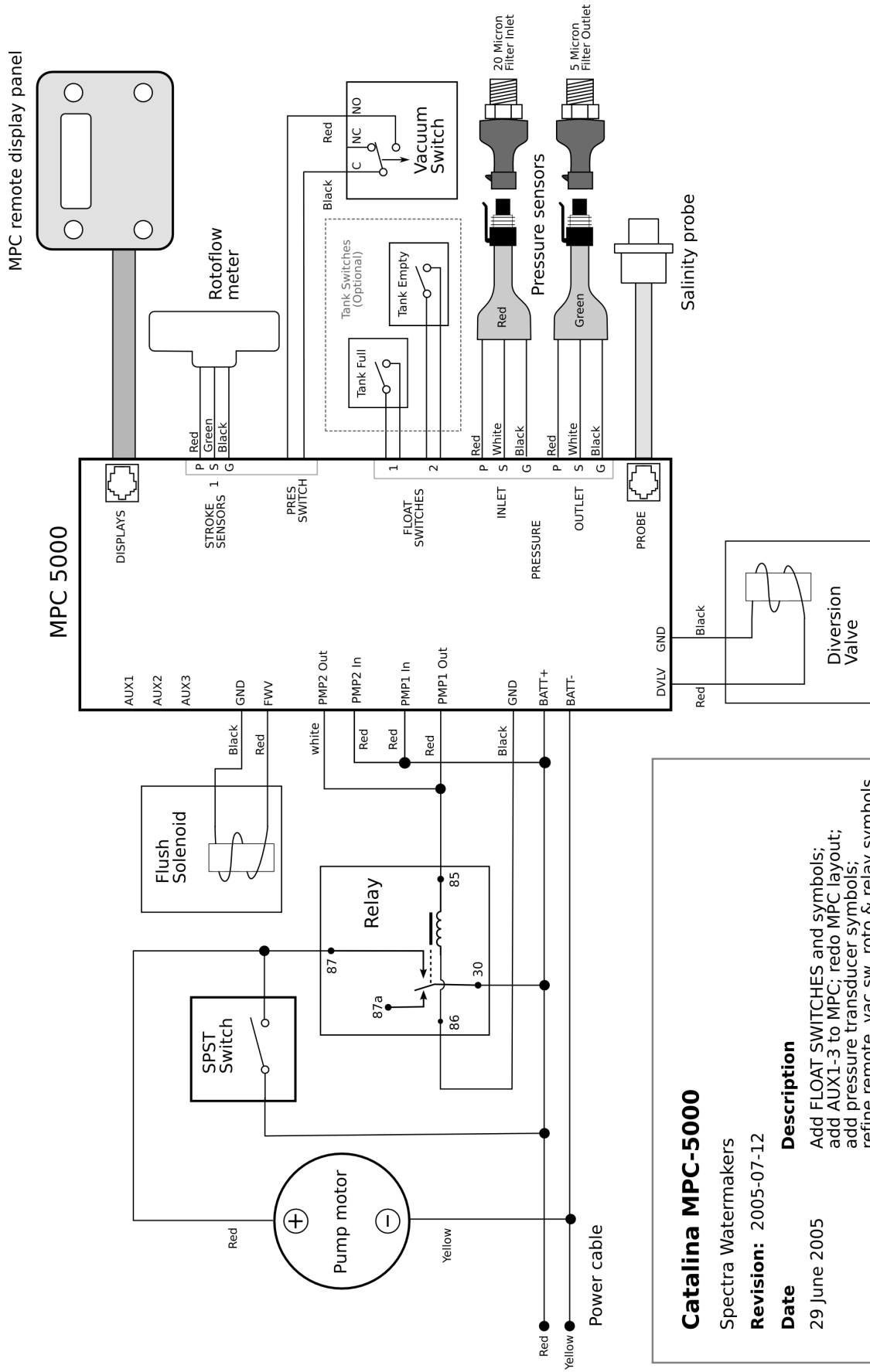
Changed "Catalina manual" to "Catalina Deluxe"

Spectra Watermakers

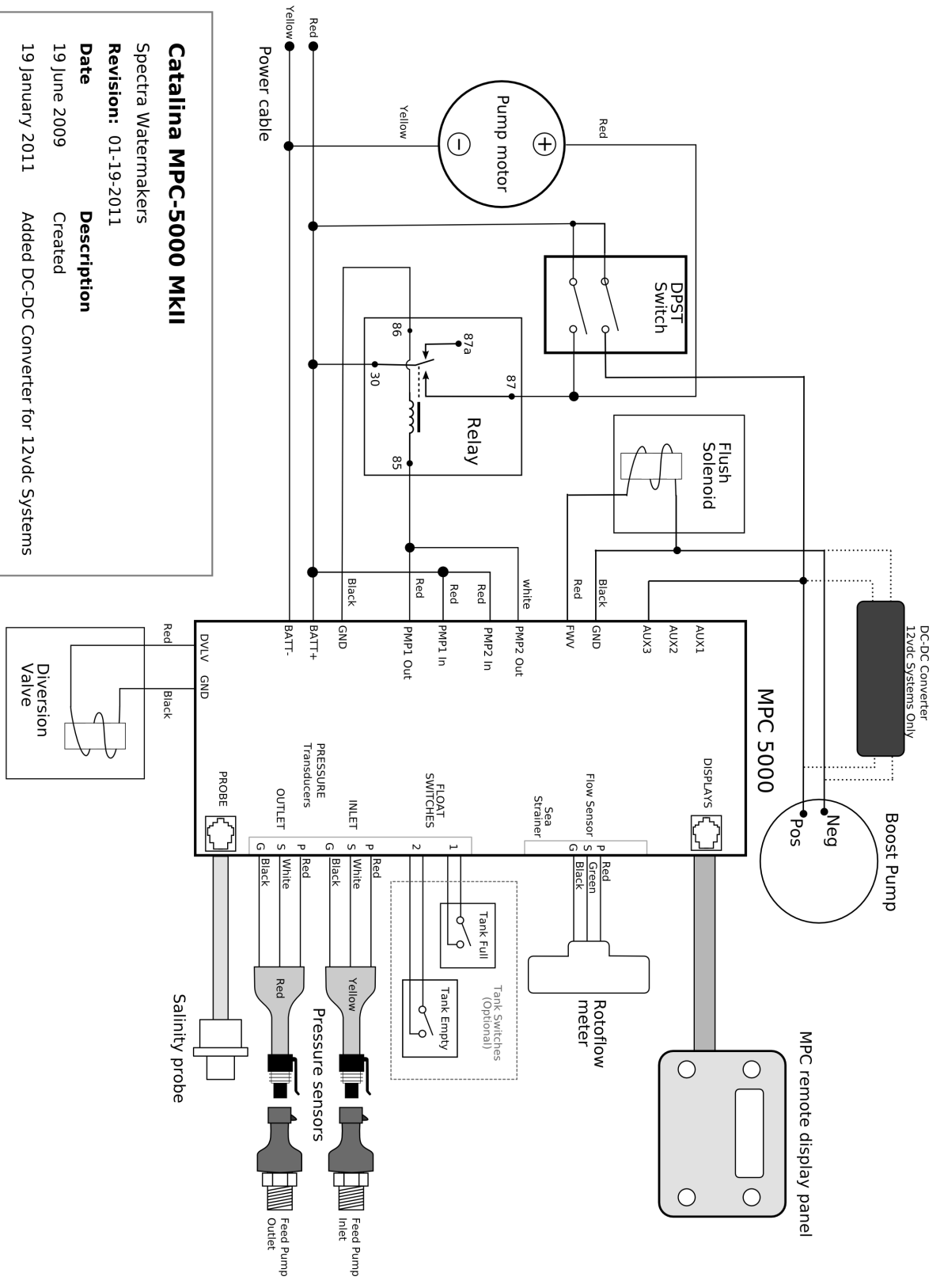


**Catalina MPC**  
 Spectra Watermakers  
**Revision:** 2005-07-12  
**Date** 29 June 2005  
**Description** Add FLOAT SWITCHES and symbols; add AUX1-3 to MPC; redo MPC layout; add pressure transducer symbols; refine remote, vac sw, roto & relay symbols  
 12 July 2005 Redo vacuum switch symbol

MPC remote display panel

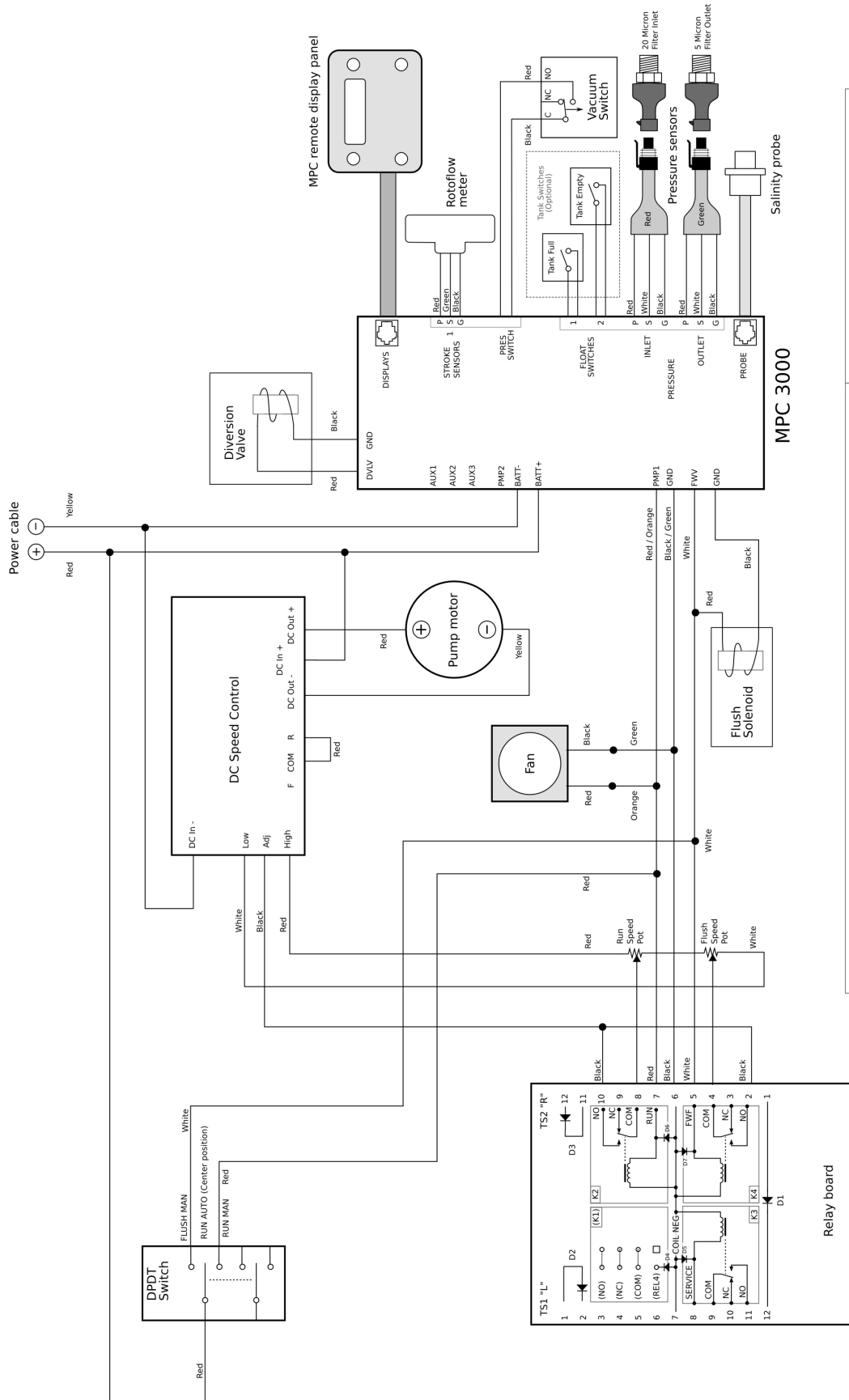


<b>Catalina MPC-5000</b>	
Spectra Watermakers	
<b>Revision:</b> 2005-07-12	
<b>Date</b>	<b>Description</b>
29 June 2005	Add FLOAT SWITCHES and symbols; add AUX1-3 to MPC; redo MPC layout; add pressure transducer symbols; refine remote, vac sw, roto & relay symbols
12 July 2005	Redo vacuum switch symbol
09 Feb 2006	Add Pump1 & 2 In terminals and wires



**Catalina MPC-5000 MKII**  
 Spectra Watermakers  
**Revision:** 01-19-2011  
**Date:** 19 June 2009  
**Description:** Created  
 19 January 2011 Added DC-DC Converter for 12vdc Systems

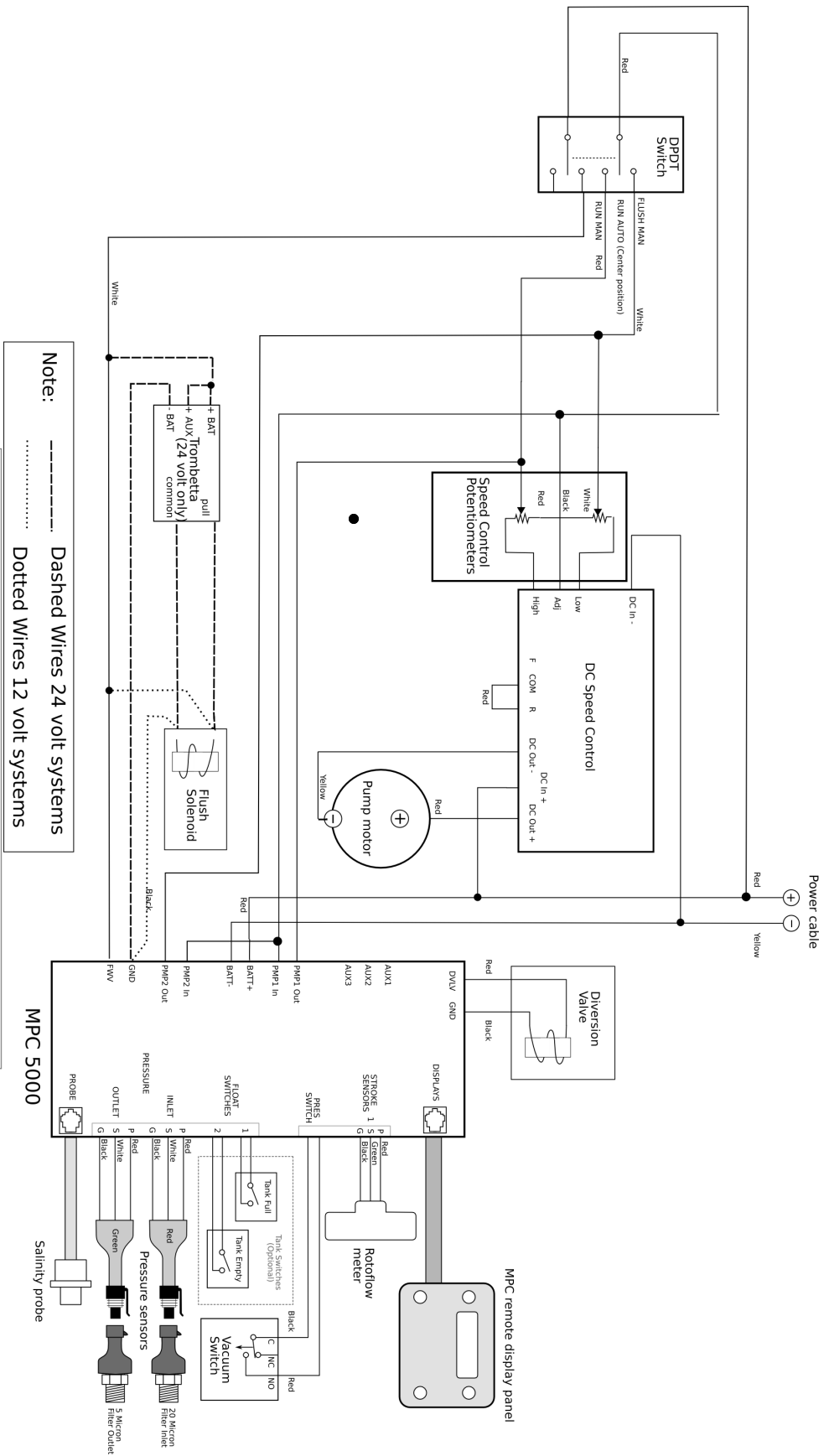




**Newport 400 Mag Drive**  
 Revision: 2005-07-13  
 Spectra Watermakers

**Revision History**

Date	Description
13 June 2005	Redo MPC layout & symbols, add RUN AUTO to switch, general cleanup



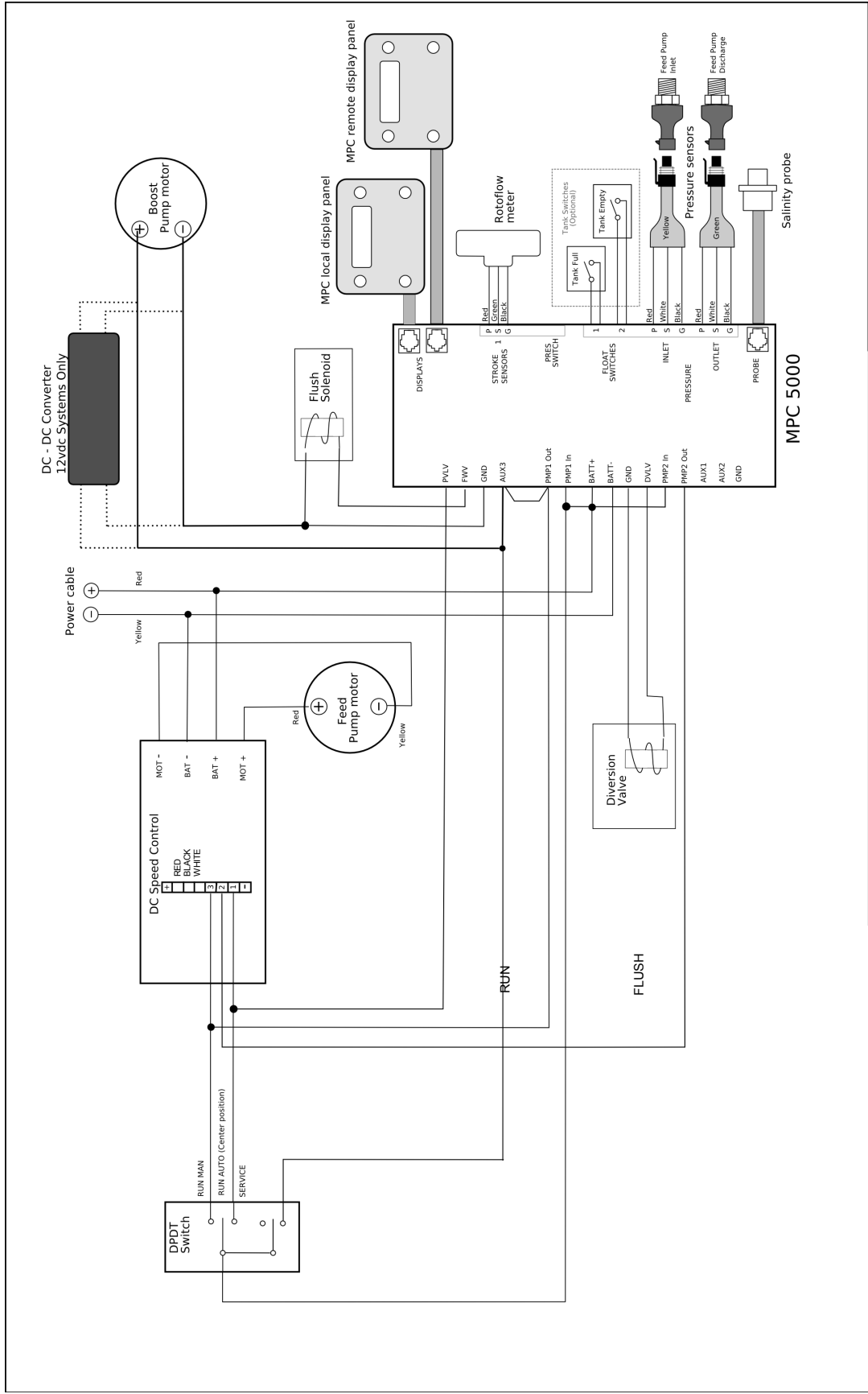
**Note:** ----- Dashed Wires 24 volt systems  
 ..... Dotted Wires 12 volt systems

Revision History	
Date	Description
13 July 2005	Redo MPC layout & symbols; add RUN AUTO to switch, general Cleanup
26 July 2005	"Newport 400" -> Newport Mag Drive; fix previous date
09 Feb 2005	Add Pmp1 & 2 In, Out terminals and Pmp1 In Jumper Change to MPC-5000
13 Feb 2006	Switch to dry contacts for manual run & flush speed Added Trombeta
20 Feb 2006	added pmp2 terminals; deleted flush relay

**Newport 400 MPC-5000**  
 Revision: 2006-feb-22

Spectra Watermakers

Dwg. No. WS2



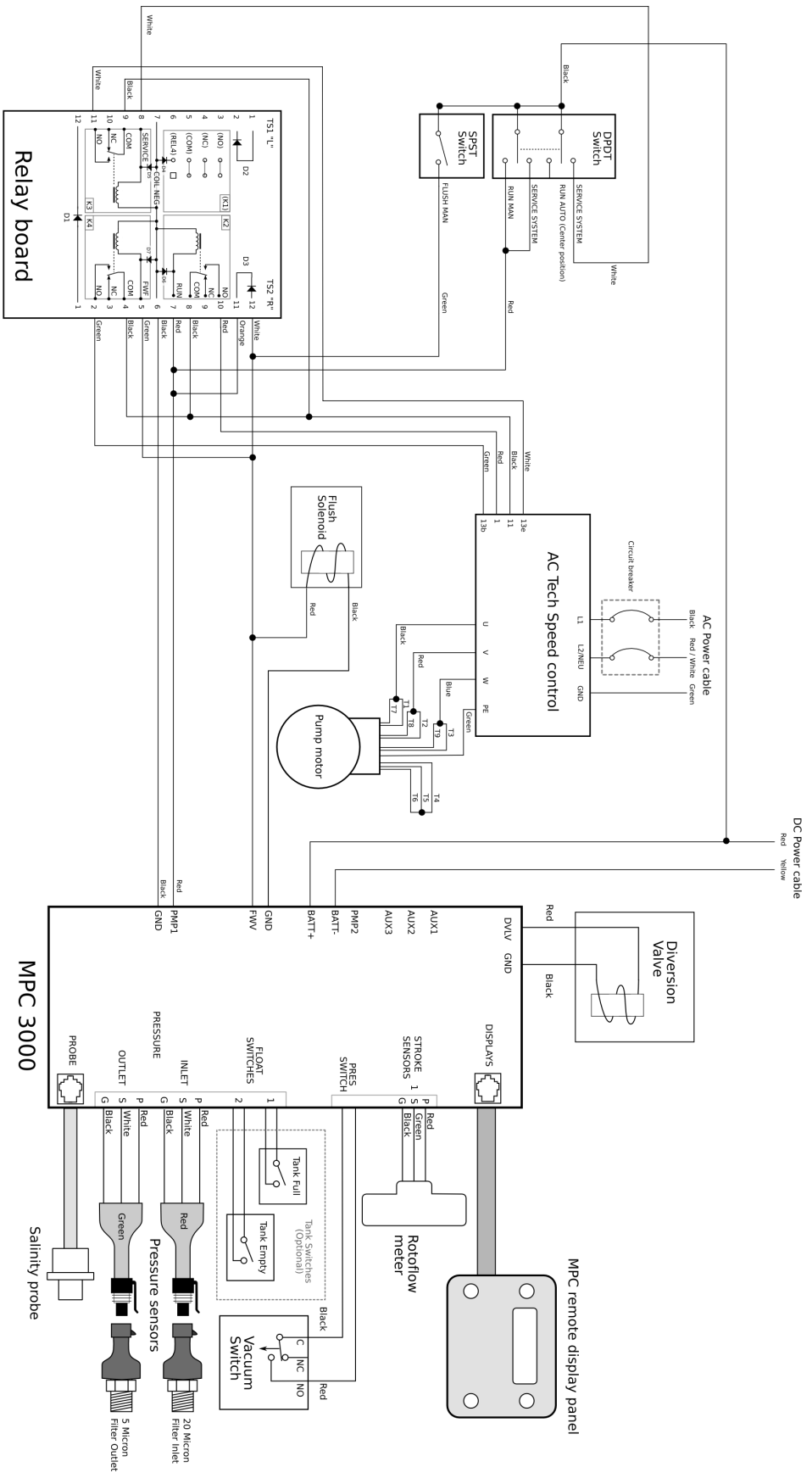
### Newport 400 MK II

Revision: 2011-Jan 19

Spectra Watermakers Dwg. No: WS4

### Revision History

Date	Description
Dec 4, 2006	changed inlet sensor color
June 8, 2009	Added second pole to DPDT switch Added jumper from PMP1_Out to Aux 3
January 19, 2011	Added DC - DC Converter for 12vdc systems



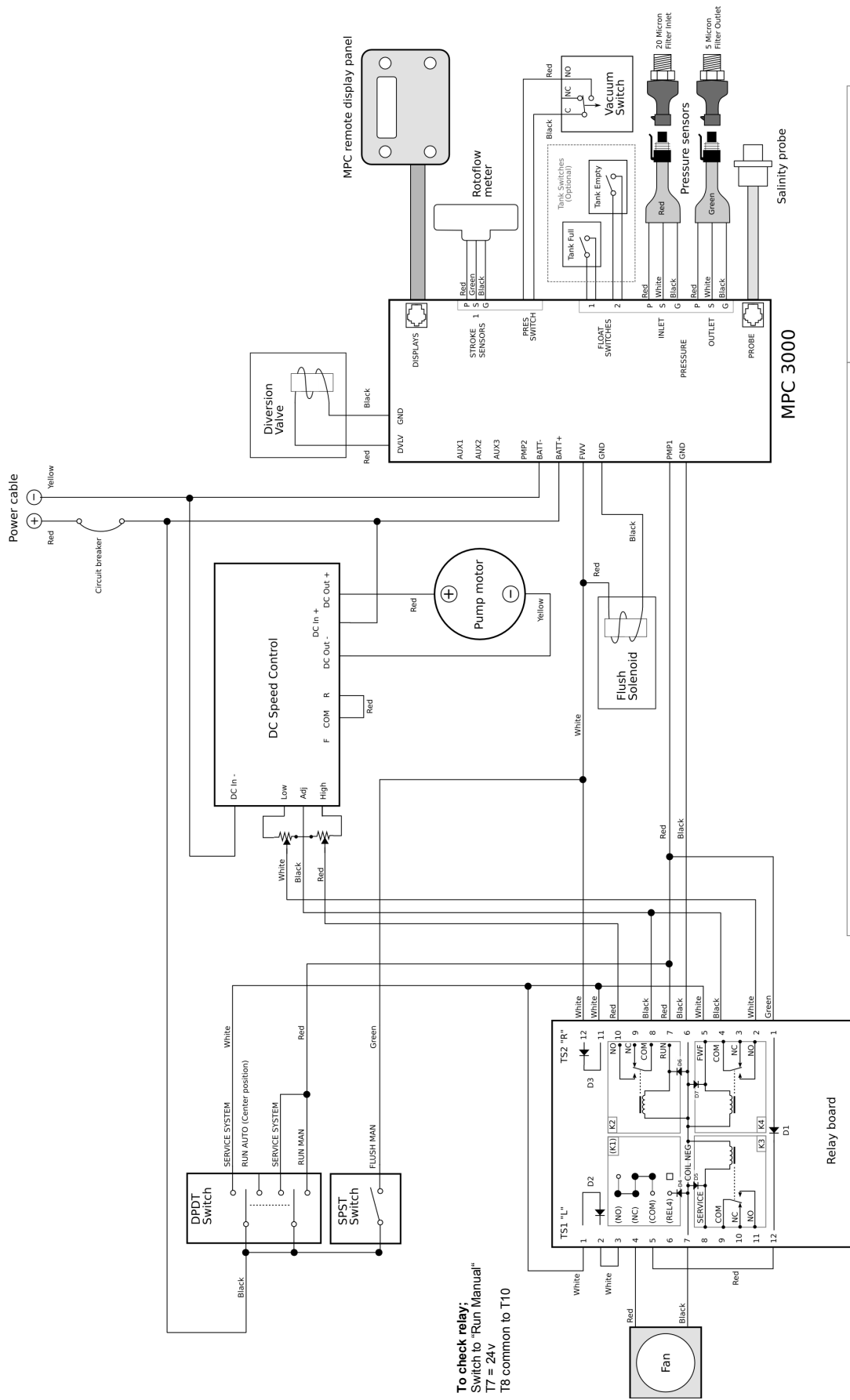
### Revision History

Date	Description	Revision:
3 June 2005	Initial Revision	2005-07-12
12 July 2005	Updated / added MPC symbols, rearranged layout	

### Newport 700/1000 AC

Revision: 2005-07-12

Spectra Watermakers



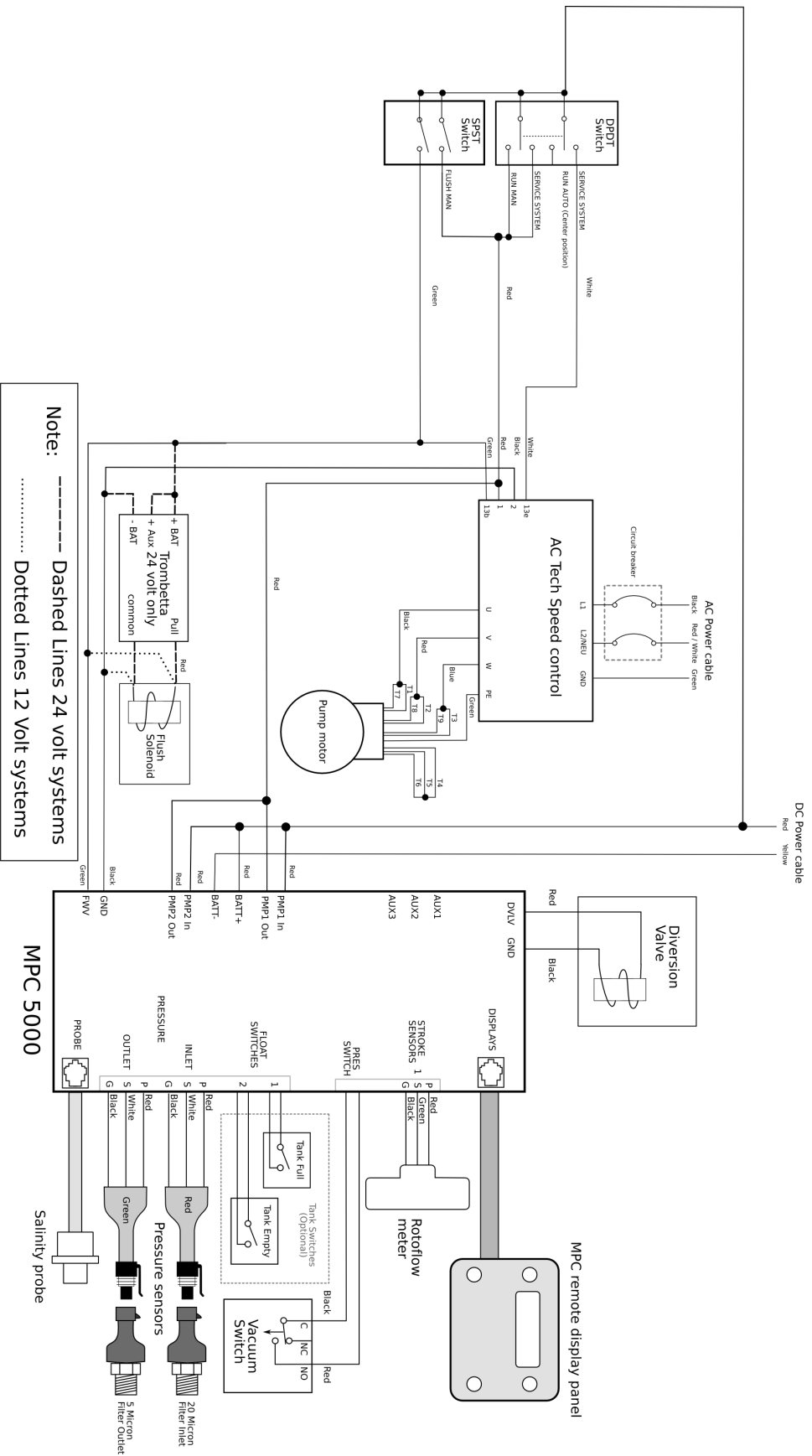
**To check relay:**  
Switch to "Run Manual"  
T7 = 24V  
T8 common to T10

**Revision History**

Date	Description
12 June 2005	Redo MPC layout & symbols, add RUN AUTO to switch, rename speed control terminals

**Newport 700/1000 DC**

Revision: 2005-07-12  
Notes: Jumpers in relay board at pos. K1

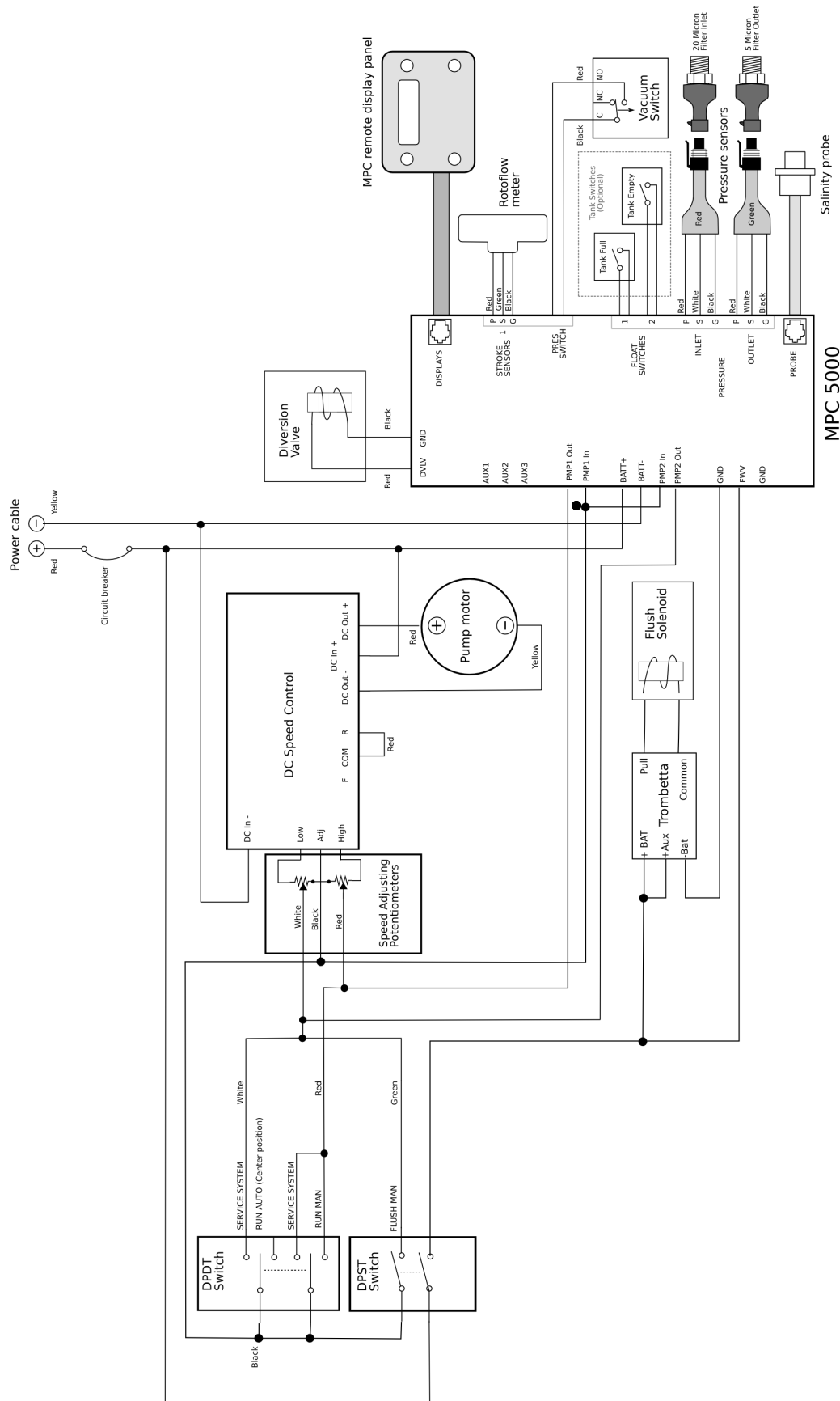


### Revision History

Date	Description
3 June 2005	Initial Revision
12 July 2005	Updated / added MPC symbols, rearranged layout
14 Feb 2006	Changed to dry terminals, added trombeta
20 Feb 2006	Changed to hot contacts, deleted relay board

### Newport 700/1000 AC MPC-5000

**Revision:** 2006-feb-22  
 Spectra Watermakers  
 Dwg No WS3 rev 5

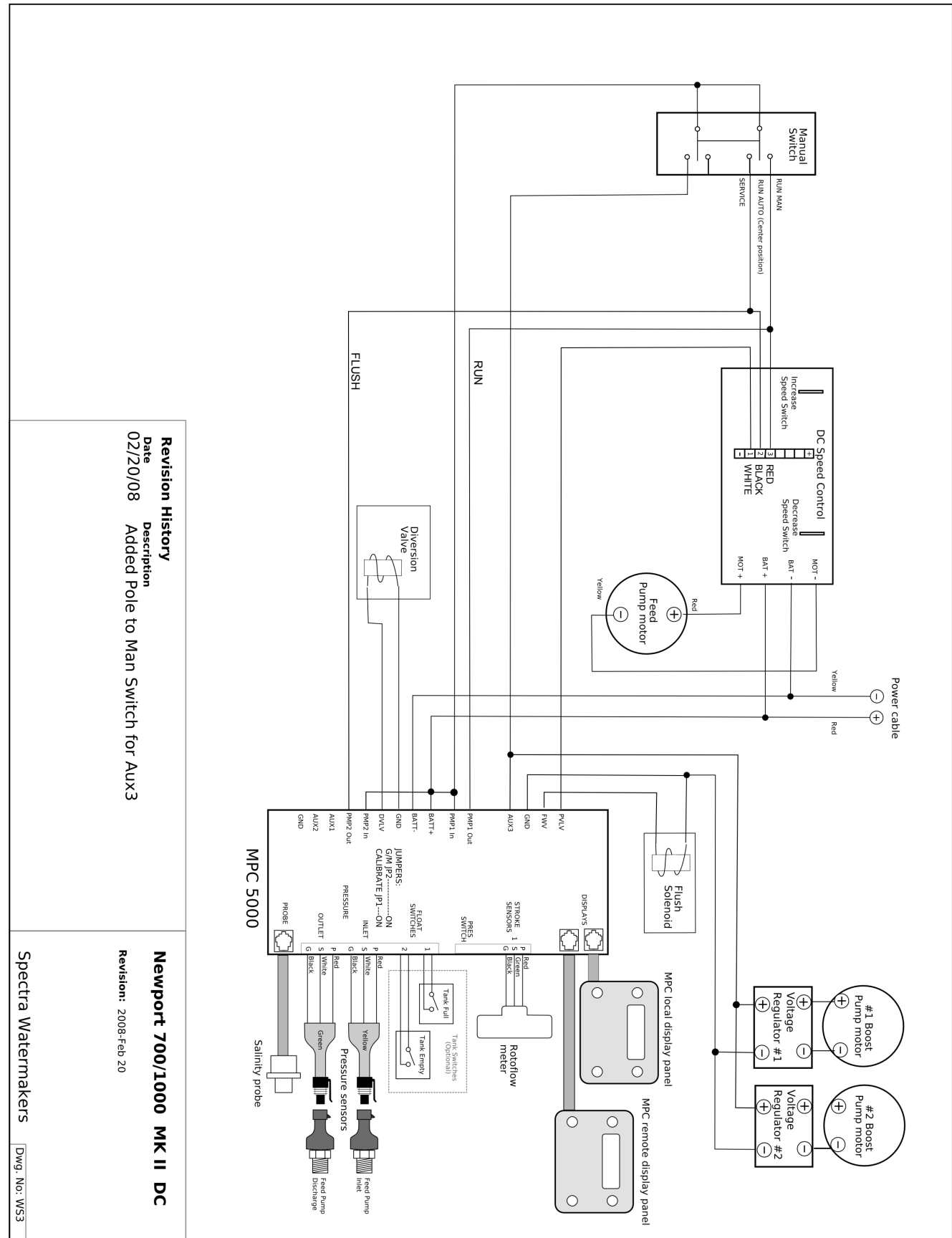


Revision History	
Date	Description
12 June 2005	Redo MPC layout & symbols, add RUN AUTO to switch, rename speed control terminals
20 Jan 2006	Remove Fan and related wiring
14 Feb 2006	Change to dry contacts add trombetta
24 Feb 2006	Remove flush relay, add PMP 2

**Newport 700/1000 DC MPC-5000**

**Revision:** 2006-feb-24

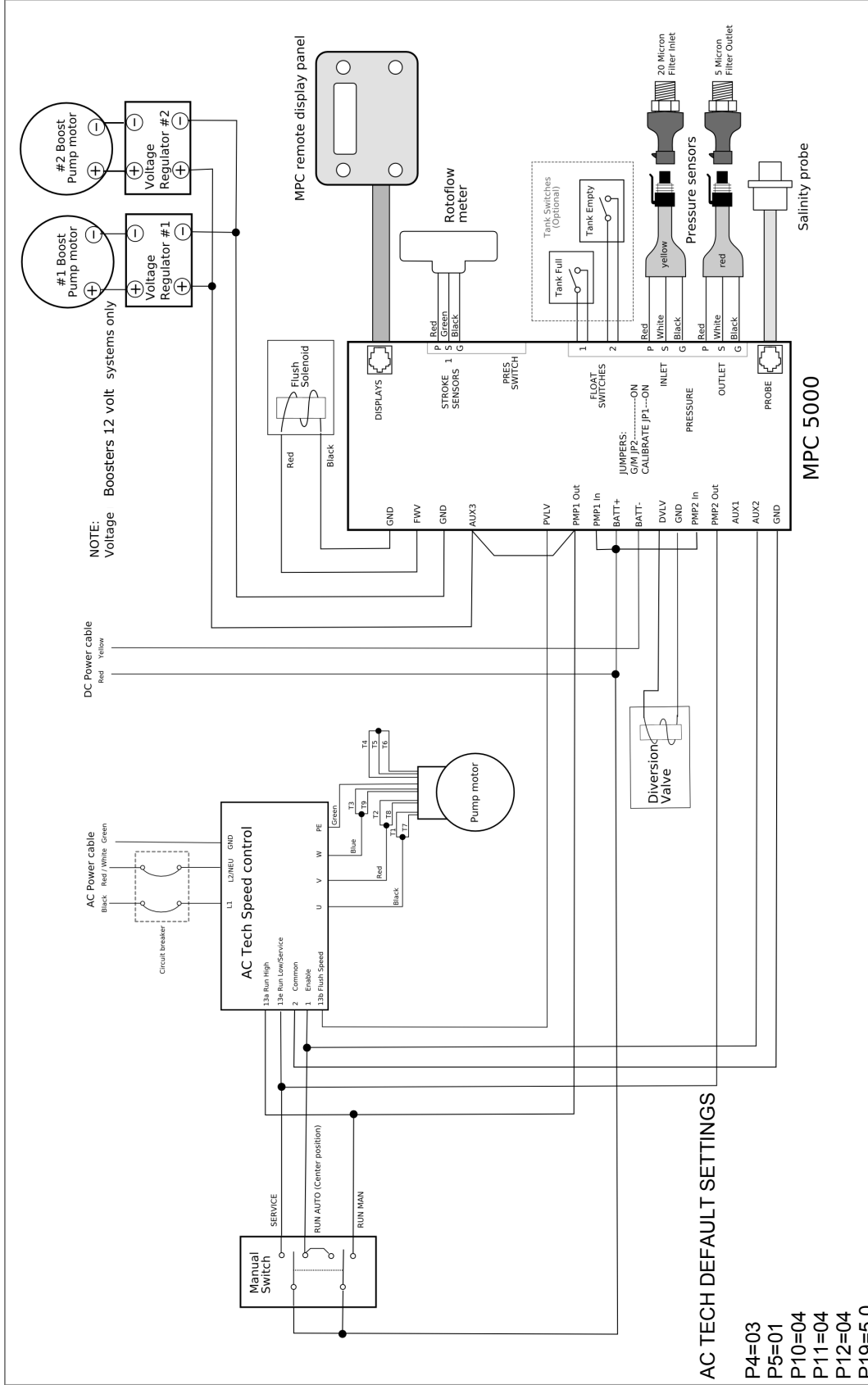
Dwg No. WS3



Revision History	
Date	Description
02/20/08	Added Pole to Man Switch for Aux3

**Newport 700/1000 MK II DC**  
 Revision: 2008-Feb 20





NOTE:  
Voltage Boosters 12 volt systems only

**AC TECH DEFAULT SETTINGS**

- P4=03
- P5=01
- P10=04
- P11=04
- P12=04
- P19=5.0
- P24=100
- P27=60
- P31=38 (HIGH SPEED)
- P33=28 (LOW SPEED)
- P35=28 (SERVICE SPEED)
- P36=15 (FLUSH SPEED)
- P42=5.0
- P44=25

**Revision History**

Date	Description
02/20/08	Add Jumper AUX 3 to PMP1

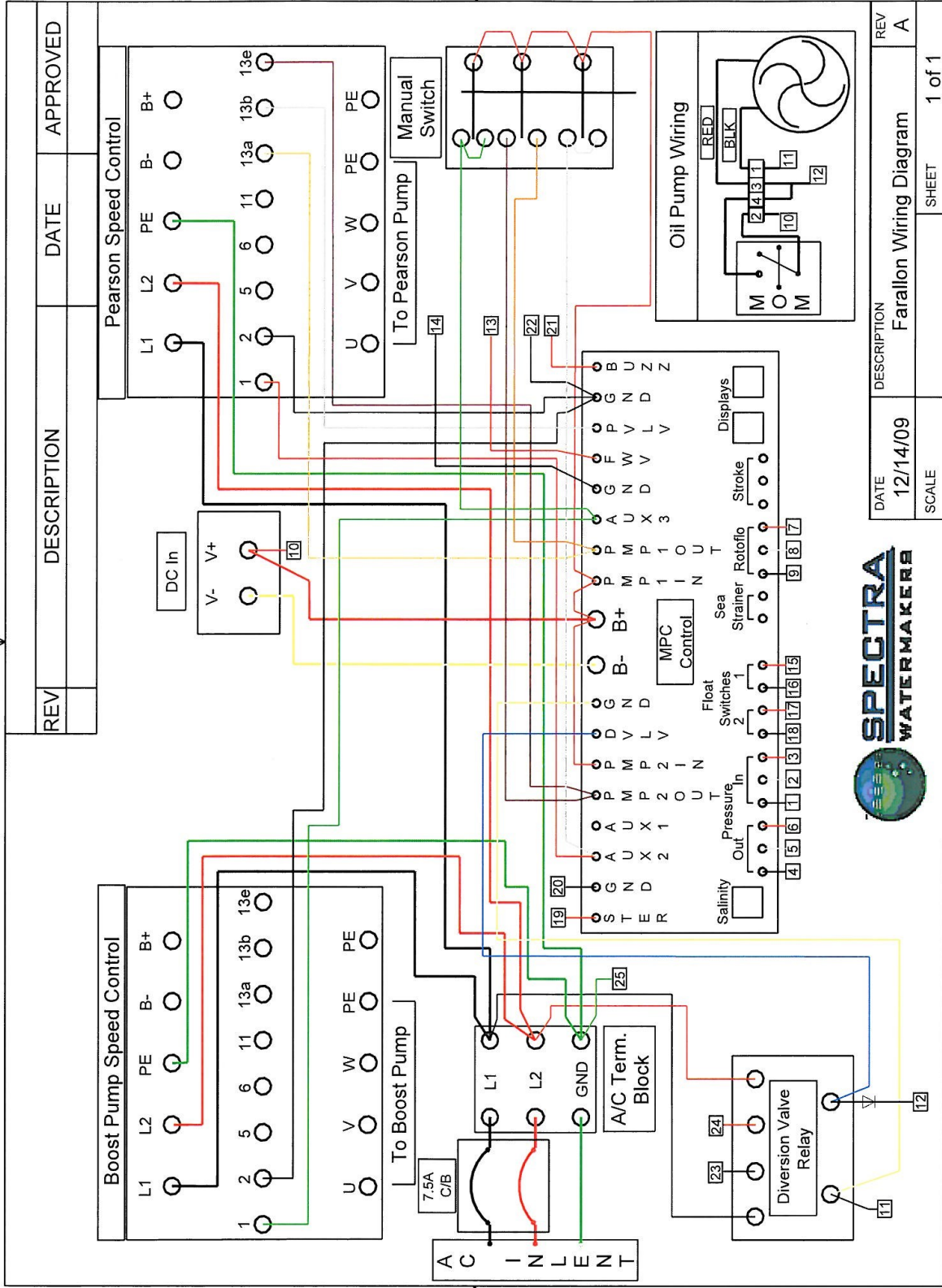
**Newport 700/1000 MK 2 AC MPC-5000**

Revision: 2008-FEB-20

Spectra Watermakers

Dwg No WS5 rev 0





REV	DESCRIPTION	DATE	APPROVED

DATE	DESCRIPTION	REV
12/14/09	Farallon Wiring Diagram	A
SCALE	SHEET	1 of 1

